

JET[®]

Operating Instructions and Parts Manual Dust Collector

Models: DC-650BK, DC-650CK, DC-650MK



DC-650BK shown



DC-650CK shown

WALTER MEIER (Manufacturing) Inc.
427 New Sanford Road
LaVergne, Tennessee 37086
Ph.: 800-274-6848
www.waltermeier.com

Part No. M-708642
Revision C 06/2010
Copyright © 2010 Walter Meier (Manufacturing) Inc.

Warranty and Service

Walter Meier (Manufacturing) Inc., warrants every product it sells. If one of our tools needs service or repair, one of our Authorized Service Centers located throughout the United States can give you quick service. In most cases, any of these Walter Meier Authorized Service Centers can authorize warranty repair, assist you in obtaining parts, or perform routine maintenance and major repair on your JET® tools. For the name of an Authorized Service Center in your area call 1-800-274-6848.

MORE INFORMATION

Walter Meier is consistently adding new products to the line. For complete, up-to-date product information, check with your local Walter Meier distributor, or visit waltermeier.com.

WARRANTY

JET products carry a limited warranty which varies in duration based upon the product (MW = Metalworking, WW = Woodworking).

| | | | | | | | | | | |
|--|------------------------------|--|------------------------------|---|------------------------------|----------------------|------------------------------|--|-------------------------------------|--|
| 90 DAY WARRANTY | 1 YEAR WARRANTY | Body Repair Kits Bottle Jacks Cable Pullers Cold Saws Hoists-Air Hoists-Electric Metal forming Mill/Drills Milling Machines MW Bandsaws MW Drill Presses MW Finishing Equipment MW Lathes MW Precision Vises | 2 YEAR WARRANTY | Palet Trucks Rigging Equip. Service Jacks Stackers Surface Grinders Tapping Trolleys-Air Trolleys-Electric Web Slings Winches-Electric | 3 YEAR WARRANTY | WW Benchtop Tools | 5 YEAR WARRANTY | Beam Clamps Chain Hoist- Manual Lever Hoists Pullers-JCH Models Scissor Lift Tables Screw Jacks Trolleys-Gearred Trolleys-Plain Winches-Manual WW Air Filtration WW Bandsaws WW Buffers WW Drill Presses WW Dust Collectors WW Dust Filters WW Dust Fittings WW Jointers WW Lathes WW Planers WW Sanders WW Shapers WW Tablesaws | LIFE LIFETIME WARRANTY | Fastening Tools Mechanics Hand Tools Striking Tools Vises (no -precision) Clamps |
| Warranty reverts to 1 Year Warranty if woodworking (WW) products listed above are used for industrial or educational purposes. | | | | | | | | | | |

WHAT IS COVERED?

This warranty covers any defects in workmanship or materials subject to the exceptions stated below. Cutting tools, abrasives and other consumables are excluded from warranty coverage.

WHO IS COVERED?

This warranty covers only the initial purchaser of the product.

WHAT IS THE PERIOD OF COVERAGE?

The general JET warranty lasts for the time period specified in the product literature of each product.

WHAT IS NOT COVERED?

Five Year Warranties do not cover woodworking (WW) products used for commercial, industrial or educational purposes. Woodworking products with Five Year Warranties that are used for commercial, industrial or education purposes revert to a One Year Warranty. This warranty does not cover defects due directly or indirectly to misuse, abuse, negligence or accidents, normal wear-and-tear, improper repair or alterations, or lack of maintenance.

HOW TO GET SERVICE

The product or part must be returned for examination, postage prepaid, to a location designated by us. For the name of the location nearest you, please call 1-800-274-6848.

You must provide proof of initial purchase date and an explanation of the complaint must accompany the merchandise. If our inspection discloses a defect, we will repair or replace the product, or refund the purchase price, at our option. We will return the repaired product or replacement at our expense unless it is determined by us that there is no defect, or that the defect resulted from causes not within the scope of our warranty in which case we will, at your direction, dispose of or return the product. In the event you choose to have the product returned, you will be responsible for the shipping and handling costs of the return.

HOW STATE LAW APPLIES

This warranty gives you specific legal rights; you may also have other rights which vary from state to state.

LIMITATIONS ON THIS WARRANTY

WALTER MEIER (MANUFACTURING) INC., LIMITS ALL IMPLIED WARRANTIES TO THE PERIOD OF THE LIMITED WARRANTY FOR EACH PRODUCT. EXCEPT AS STATED HEREIN, ANY IMPLIED WARRANTIES OR MERCHANTABILITY AND FITNESS ARE EXCLUDED. SOME STATES DO NOT ALLOW LIMITATIONS ON HOW LONG THE IMPLIED WARRANTY LASTS, SO THE ABOVE LIMITATION MAY NOT APPLY TO YOU.

WALTER MEIER SHALL IN NO EVENT BE LIABLE FOR DEATH, INJURIES TO PERSONS OR PROPERTY, OR FOR INCIDENTAL, CONTINGENT, SPECIAL, OR CONSEQUENTIAL DAMAGES ARISING FROM THE USE OF OUR PRODUCTS. SOME STATES DO NOT ALLOW THE EXCLUSION OR LIMITATION OF INCIDENTAL OR CONSEQUENTIAL DAMAGES, SO THE ABOVE LIMITATION OR EXCLUSION MAY NOT APPLY TO YOU.

Walter Meier sells through distributors only. The specifications in Walter Meier catalogs are given as general information and are not binding. Members of Walter Meier reserve the right to effect at any time, without prior notice, those alterations to parts, fittings, and accessory equipment which they may deem necessary for any reason whatsoever. JET® branded products are not sold in Canada by Walter Meier.

Table of Contents

| | |
|---|----|
| Warranty and Service..... | 2 |
| Table of Contents | 3 |
| Warnings..... | 4 |
| Introduction | 5 |
| Specifications | 6 |
| Unpacking..... | 7 |
| Shipping Contents..... | 7 |
| Bag Filter Kits..... | 7 |
| Base Unit..... | 7 |
| Canister Filter Kit..... | 7 |
| Tools Required for Assembly..... | 7 |
| Base Unit Assembly..... | 8 |
| Motor Housing and Support Cylinder | 8 |
| Base Assembly | 8 |
| Mounting the Support Canister to Base..... | 8 |
| Filter Bag Kit Assembly..... | 9 |
| Filter Bag Installation..... | 9 |
| Collector Bag Installation..... | 9 |
| Canister Kit Assembly..... | 10 |
| Canister Filter Installation..... | 10 |
| Collector Bag Installation..... | 10 |
| Electrical Connections..... | 11 |
| Turning the Machine On & Off | 11 |
| All Models | 11 |
| Remote Control (Optional)..... | 11 |
| Dust Collector RF Remote Power Control (<i>Optional</i>)..... | 11 |
| Turning the DC-RC On & Off..... | 11 |
| Changing Operating Frequency | 12 |
| Installing the DC-RC Remote Power Control | 12 |
| Maintenance..... | 13 |
| Cleaning the Filter Bag – DC-650BK/MK..... | 13 |
| Removing the Collector Bag – DC-650BK | 13 |
| Cleaning the Filter – DC-650CK..... | 13 |
| Removing the Collector Bag – DC-650CK and DC-650MK | 13 |
| Motor..... | 13 |
| Connecting the Dust Collector to a Machine | 13 |
| Grounding the Dust Collection System..... | 13 |
| Parts..... | 14 |
| Replacement Parts..... | 14 |
| Parts List – Base Machine..... | 14 |
| Parts Breakdown – Base Machine | 15 |
| Canister Filter Assembly | 16 |
| 30 Micron Filter Bag Assembly | 17 |
| 5 Micron Filter Bag Assembly | 18 |
| Wiring Diagrams for DC-650..... | 19 |



Warnings

1. Read and understand the entire owner's manual before attempting assembly or operation.
2. Read and understand the warnings posted on the machine and in this manual. Failure to comply with all of these warnings may cause serious injury.
3. Replace the warning labels if they become obscured or removed.
4. This dust collector is designed and intended for use by properly trained and experienced personnel only. If you are not familiar with the proper and safe operation of a dust collector, do not use until proper training and knowledge have been obtained.
5. Do not use this dust collector for other than its intended use. If used for other purposes, Walter Meier (Manufacturing) Inc., disclaims any real or implied warranty and holds itself harmless from any injury that may result from that use.
6. Always wear approved safety glasses/face shields while using this dust collector. Everyday eyeglasses only have impact resistant lenses; they are not safety glasses.
7. Before operating this dust collector, remove tie, rings, watches and other jewelry, and roll sleeves up past the elbows. Remove all loose clothing and confine long hair. Non-slip footwear or anti-skid floor strips are recommended. Do **not** wear gloves.
8. Wear ear protectors (plugs or muffs) during extended periods of operation.
9. Some dust created by power sanding, sawing, grinding, drilling and other construction activities contain chemicals known to cause cancer, birth defects or other reproductive harm. Some examples of these chemicals are:
 - Lead from lead based paint.
 - Crystalline silica from bricks, cement and other masonry products.
 - Arsenic and chromium from chemically treated lumber.Your risk of exposure varies, depending on how often you do this type of work. To reduce your exposure to these chemicals, work in a well-ventilated area and work with approved safety equipment, such as face or dust masks that are specifically designed to filter out microscopic particles.
10. Do not operate this machine while tired or under the influence of drugs, alcohol or any medication.
11. Make certain the switch is in the **OFF** position before connecting the machine to the power supply.
12. Make certain the machine is properly grounded.
13. Make all machine adjustments or maintenance with the machine unplugged from the power source.
14. Remove adjusting keys and wrenches. Form a habit of checking to see that keys and adjusting wrenches are removed from the machine before turning it on.
15. Keep safety guards in place at all times when the machine is in use. If removed for maintenance purposes, use extreme caution and replace the guards immediately.
16. Check damaged parts. Before further use of the machine, a guard or other part that is damaged should be carefully checked to determine that it will operate properly and perform its intended function. Check for alignment of moving parts, binding of moving parts, breakage of parts, mounting and any other conditions that may affect its operation. A guard or other part that is damaged should be properly repaired or replaced.
17. Provide for adequate space surrounding work area and non-glare, overhead lighting.
18. Keep the floor around the machine clean and free of scrap material, oil and grease.
19. Keep visitors a safe distance from the work area. **Keep children away.**



Warnings

20. Make your workshop child proof with padlocks, master switches or by removing starter keys.
21. Give your work undivided attention. Looking around, carrying on a conversation and “horse-play” are careless acts that can result in serious injury.
22. Do not use the dust collector for anything except wood dust. Materials such as liquids, metal shavings, metal dust, screws, glass, plastic or rock can cause sparks and/or damage when coming into contact with any part of the dust collector.
23. Use recommended accessories; improper accessories may be hazardous.
24. Maintain tools with care. Follow instructions for lubricating and changing accessories.
25. Turn off the machine before cleaning. Use a brush or compressed air to remove chips or debris — do not use your hands.
26. Do not stand on the machine. Serious injury could occur if the machine tips over.
27. Never leave the machine running unattended. Turn the power off and do not leave the machine until it comes to a complete stop.
28. Remove loose items and unnecessary work pieces from the area before starting the machine.
29. Never place hands near the inlet of the machine.
30. Always make certain machine is off and unplugged when making any connections to the inlet.

Familiarize yourself with the following safety notices used in this manual:

CAUTION This means that if precautions are not heeded, it may result in minor injury and/or possible machine damage.

WARNING This means that if precautions are not heeded, it may result in serious injury or possibly even death.

- - SAVE THESE INSTRUCTIONS - -

Introduction

This manual is provided by JET covering the safe operation and maintenance procedures for models DC-650 Series Dust Collectors. This manual contains instructions on installation, safety precautions, general operating procedures, maintenance instructions and parts breakdown. This machine has been designed and constructed to provide years of trouble free operation if used in accordance to instructions set forth in this manual. If there are any questions or comments, please contact either your local supplier or Walter Meier (Manufacturing) Inc. Walter Meier can also be reached at our website: www.waltermeier.com

WARNING Read and understand the entire contents of this manual before attempting set-up or operation! Failure to comply may cause serious injury.

Specifications

| | |
|--|----------|
| Base Machine with 30 micron Filter Bag Kit | 708642BK |
| Base Machine with 5 micron Filter Bag Kit | 708642MK |
| Base Machine with Canister Kit..... | 708642CK |

Base Machine (All Models):

| | |
|---|---|
| Model..... | DC-650M |
| Stock Number | 708642 |
| Blower Wheel Diameter (in.) | 9-1/2 |
| Sound Rating at 3 feet..... | 65-70 dB |
| Hose Diameter (in.) | 4 |
| Air Flow at 4" (CFM):..... | 650 |
| Max. Static Pressure (inch of water): | 6.5 |
| Velocity at 4" (FPM) | 6300 |
| Motor | TEFC, 1 HP, 1Ph, 115V/230V, Prewired 115V, 60Hz, 7/3.5A |

30 Micron Filter Bag Kit:

| | |
|---|----------------------------|
| Stock Number | 708642B |
| Filter Bag Efficiency..... | 96% of 30 micron particles |
| Filter Bag Length (in.) | 24 |
| Filter and Collector Bag Diameter (in.) | 14 |
| Collector Bag Length (in.) | 23 |
| Collector Bag Capacity (cu. ft.)..... | 2.1 |

5 Micron Filter Bag Kit:

| | |
|---|--|
| Stock Number | 708642MF |
| Filter Bag Efficiency..... | 98% of 5 micron particles; 92% of 3 micron; 74% of 1micron |
| Filter Bag Length (in.) | 24 |
| Filter and Collector Bag Diameter (in.) | 14 |
| Collector Bag Length (in.) | 23 |
| Collector Bag Capacity (cu. ft.)..... | 2.1 |

Canister Filter Kit:

| | |
|---------------------------------------|--|
| Stock Number | 708737C |
| Canister Efficiency | 86% of 1 micron particles; 98% of 2 micron particles |
| Canister Length (in.)..... | 25 |
| Collector Bag Diameter (in.) | 14 |
| Collector Bag Length (in.) | 23 |
| Collector Bag Capacity (cu. ft.)..... | 2.1 |

| Model | DC-650BK | DC-650MK | DC-650CK |
|--------------------------------|----------------------|-----------------------|-----------------|
| Overall Dimensions (in.) | 27L x 14W x 66H..... | 27L x 14W x 66H | 27L x 14W x 61H |
| Net Weight (lbs) | 62..... | 62 | 70 |
| Gross weight (lbs) | 74..... | 74 | 87 |

RF Remote Control Unit (Optional Accessory)

| | |
|--|---------|
| Stock Number (Main unit and transmitter) (115V only) | 708636C |
| Stock Number (Transmitter only)..... | 708636T |

The above specifications were current at the time this manual was published, but because of our policy of continuous improvement, Walter Meier reserves the right to change specifications at any time and without prior notice, without incurring obligations.

Unpacking

The table below lists the shipping cartons that are included with the models of the DC-650 Dust Collector.

1. Locate your particular model and verify that you have received the all the correct cartons.
2. Check contents of each carton against the shipping content listings on this and the following page.
3. Report any damage to your distributor.
4. Do not discard any shipping material until after the dust collector has been assembled and is running properly.

| | Base Unit (Stock No 708642) | Filter Bag Kit (Stock No 708642B) | Filter Bag Kit (Stock No 708642MF) | Canister Filter Kit (Stock No 708737C) |
|----------|--------------------------------|--------------------------------------|---------------------------------------|---|
| DC-650BK | x | x | | |
| DC-650CK | x | | | x |
| DC-650MK | x | | x | |

Table – DC-650 Dust Collector cartons

Shipping Contents

Bag Filter Kits

(Stock No. 708642B):

- 1 – Collector Bag
- 1 – Filter Bag
- 1 – Retaining Strap
- 1 – Filter Bag Support Rod
- 1 – Hardware Bag (Stock No DC650-FHP)
 - 1 – M6 Hex Nut
 - 1 – M6 Flat Washer
 - 1 – M6 Lock Washer

(Stock No. 708642MF):

- 1 – Collector Bag
- 1 – Snap Ring
- 1 – Filter Bag
- 1 – Retaining Strap
- 1 – Filter Bag Support Rod
- 1 – Hardware Bag (Stock No DC650-FHP)
 - 1 – M6 Hex Nut
 - 1 – M6 Flat Washer
 - 1 – M6 Lock Washer

Shipping Contents (cont)

Base Unit

(Stock No 708642)

- 1 – Base
- 1 – Impeller Housing/Motor Assembly
- 1 – Motor Cooling Fan
- 2 – Fixed Casters
- 2 – Pivoting Casters
- 1 – Support Cylinder
- 1 – Owner's Manual
- 1 – Warranty Card
- 1 – Hardware Bag (Stock No DC650-HP)
 - 4 – M6 x 12 Cap Screws
 - 4 – M6 Lock Washers
 - 4 – M6 Flat Washers
 - 2 – 3/8"-16 Acorn Nuts
 - 2 – 3/8" Hex Nuts
 - 4 – M10 Flat Washers
 - 4 – M8 x 12 Cap Screws
 - 4 – M8 Flat Washers
 - 1 – 5mm Hex Wrench

Canister Filter Kit

(Stock No 708737C)

- 1 – Canister Filter
- 1 – Handle
- 1 – Arm
- 5 – Collector Bags
- 1 – Snap Ring
- 1 – Hardware Bag (Stock No DC650-CHP)
 - 2 – M10 Hex Nuts
 - 2 – M10 Flat Washers
 - 1 – M10 Lock Washer
 - 4 – Knobs
 - 1 – M8 Hex Nut
 - 1 – M8 Flat Washer
 - 1 – M8 Lock Washer

Tools Required for Assembly

- 2 14mm Wrenches or Sockets
- 2 13mm Wrenches or Sockets
- 2 10mm Wrench or Socket
- 1 17mm Wrench (for Canister Kit assembly)
- 1 06mm Hex Wrench

Base Unit Assembly

⚠WARNING The dust collector must be disconnected from the power source during assembly. Failure to comply may result in serious injury!

Motor Housing and Support Cylinder

Referring to Figure 1:

1. Place the *impeller housing* (H) on the floor with the *motor* (G) facing upwards as shown.
2. Attach the *fan* (B) with the blades facing up to the motor *shaft* (A). Allow a 1/16"-1/8" clearance between the *fan* (B) and *housing* (F).
3. Secure the *fan* (B) by tightening the hex cap screw on the fan with a 10mm wrench.

Note: If a DC-RC Remote Power Control unit is to be installed, it should be done before proceeding with step 5. See *Installing the DC-RC Remote Power Control* on page 12 for installation instruction.

4. Attach *support cylinder* (C) to the *motor housing* (G) with three M6x16 *socket head cap screws* (E) and three M6 *flat washers* (D). Tighten with a 6mm hex wrench.

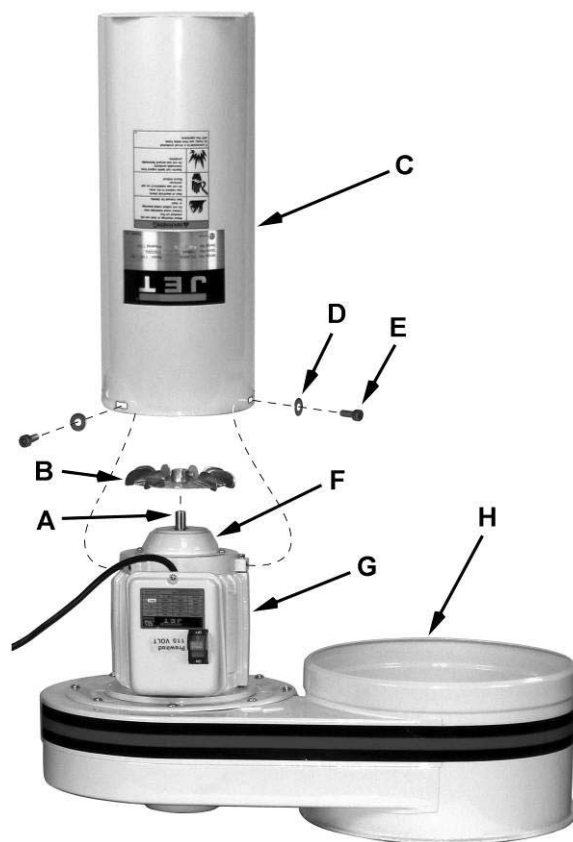


Figure 1

Base Assembly

Referring to Figure 2:

1. Mount two *fixed casters* (J) to the appropriate end of *base* (K) using four M6 *flat washers* (L), four M6 *lock washers* (M) and four M6x12 *hex cap screws* (N). Tighten with a 10mm wrench.
2. Mount two *swivel casters* (O) to the appropriate end of the base with two 3/8" *hex nuts* (P), four M10 *flat washers* (Q), and two 3/8" *acorn nuts* (R). Tighten using two 14mm wrenches.

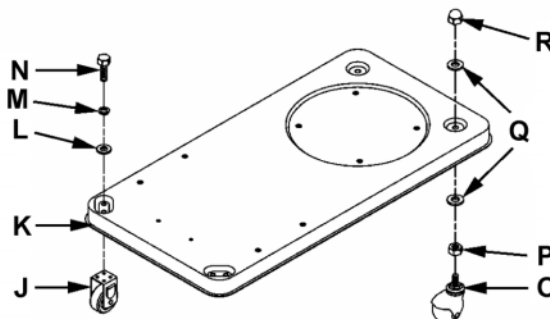


Figure 2

Mounting the Support Canister to Base

Referring to Figure 3:

1. Mount the *support cylinder* (S) to the *base* (T) with four each M8x12 *hex cap screws* and M8 *flat washers* (U).
2. Turn the dust collector over onto the casters and tighten screws with a 13mm wrench.

Note: Make sure the base and housing are relatively parallel. If not loosen the screws that secure the support cylinder to the motor and adjust as necessary. Tighten all hardware.



Figure 3

This completes the *Base Unit* assembly. If you purchased the *DC-650BK/MK Dust Collector* (filter bag), continue on the following page. If you purchased the *DC-650CK Dust Collector* (canister filter), proceed to *Canister Kit Assembly* on page 10.

Filter Bag Kit Assembly

If you purchased Model DC-650BK or DC-650MK Dust Collector, this section describes the assembly and installation of the contents of the Filter Bag Kit (SN 708642B and 708642MF).

Filter Bag Installation

Referring to Figure 4:

1. Thread an M6 *hex nut* onto the filter bag *support rod* (B), followed by an M6 *flat washer* and M6 *lock washer* (A). Thread the *support rod* (B) into the motor/fan housing and tighten nut against the housing using a 10 wrench.
2. Place the *retaining strap* (C) through the loops on the filter bag and hang the filter bag from the hook.
3. Secure bag to housing with retaining strap.

Note: The retainer strap should be tight enough to provide a good seal.

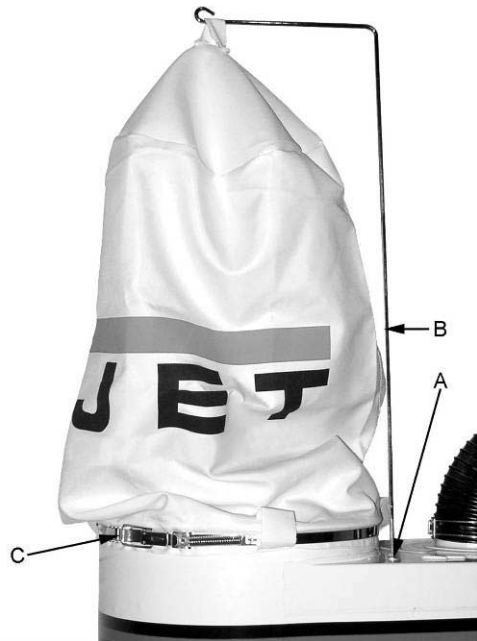


Figure 4

Collector Bag Installation (30 Micron Kit)

1. Insert the *snap ring* of collector bag into the bottom of *housing* at an angle (Figure 5).
2. Pull down on the ring and bag to make sure it “seats” in the housing.



Figure 5

Collector Bag Installation (5 Micron Kit)

The 5-Micron Filter Bag Kit includes clear plastic collector bags. Refer to Figures 7 and 8 on the next page, along with the accompanying instructions, to install these.

After completing the filter bag and collector bag installation, proceed to *Electrical Connections*.

Canister Kit Assembly

If you purchased Model DC-650CK Dust Collector, this section describes the assembly and installation of the contents of the Canister Kit (SN 708737C).

Canister Filter Installation

Referring to Figure 6:

1. Place the canister filter so that it fits snugly over the housing and tighten the four *knobs* (A).
2. Mount *handle* (B) to the *arm* (C) with an M8 *flat washer* (D), M8 *lock washer* (E) and M8 *hex nut* (F).
3. Thread an M10 *hex nut* (G) onto the threaded rod found on top of the canister filter followed by an M10 *lock washer* (H), and M10 *flat washer* (I).
4. Mount the *arm* (C) to the threaded rod on top of canister with one M10 *flat washer* (J), and M10 *hex nut* (K).

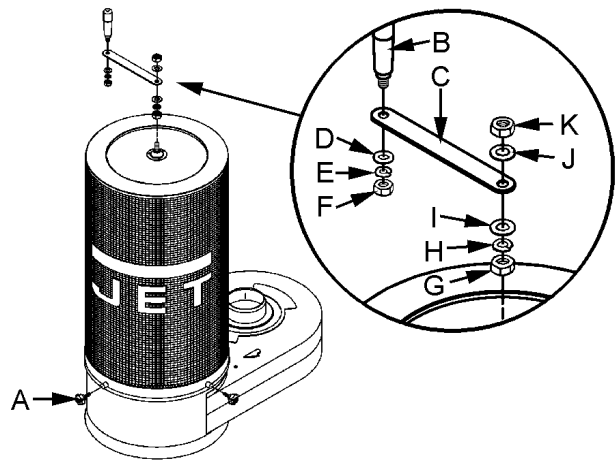


Figure 6

Collector Bag Installation

1. Place the *snap ring* (K, Fig. 7) over the top of *plastic bag* (L, Fig. 7) and fold over the bag approximately three inches.
2. Insert the snap ring of the collector bag into the bottom of the housing at an angle, see Figure 8.
3. Pull down on the ring to make sure it “seats” in the housing.

Note: Make sure the snap ring “snaps” into place in the housing, and also that the plastic bag hangs down approximately 3” so that there are no air leaks.



Figure 7



Figure 8

Electrical Connections

⚠WARNING All electrical connections must be done by a qualified electrician. All adjustments or repairs must be done with the dust collector disconnected from the power source, unplugged. Failure to comply may result in serious injury!

The DC-650 (all models) dust collectors are rated at **115/230V, Prewired 115V**. Use a plug and outlet rated at least 20 amps. The circuit for the machine should also be protected by at least a 20 amp circuit breaker or fuse. Keep in mind that a circuit being used by other machines, tools, lights, heaters, etc. at the same time will add to the electrical load.

A dedicated circuit to the dust collector will give you the best results since dust collectors are generally used at the same time other tools are running.

Turning the Machine On & Off

⚠WARNING This machine is intended for indoor use only.

All Models

Before hooking up to the power source, make sure that the switch is in the off position.

Turn the dust collector on by pressing the *Start* button mounted next to the motor. Press the *Stop* button to turn off the dust collector.

Remote Control (Optional)

The DC-RC RF Remote Power Control unit is available as an optional accessory (contact your JET dealer or Customer Service by calling the number on the cover).

Important: The DC-RC Remote Power Control (SN 708636C) can be used for activating Dust Collection units powered by 115V *only* up to 1-1/2HP. If your dust collector is currently set up for 230V operation or you choose to convert it to 230V at a later time, you must purchase the DC-RC230 Remote Power Control unit (SN 708636D).

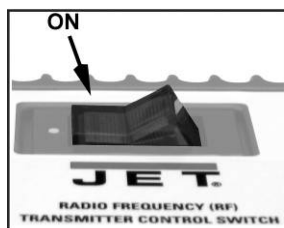


Figure 9A

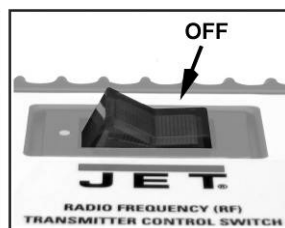


Figure 9B

Dust Collector RF Remote Power Control (Optional)

The *DC-RC Remote Power Control* (Figure 10) should be used for activating Dust Collection units powered by 115V only up to 1-1/2HP. The DC-RC Remote Power Control unit is rated at 115V, *Single Phase* only. Use an outlet rated at least 20amps. The circuit for the device being controlled by the DC-RC should also be protected by at least a 20 amp circuit breaker or fuse.

Before hooking up to the power source, make sure that the switch is initially in the off position on both the dust collector and *remote control unit* (Figure 12).

Turning the DC-RC On & Off

⚠WARNING This machine is intended for indoor use only.

1. Plug the dust collector into the *main unit* (Figure 10) and plug the main unit into the power outlet.

To start a machine or device:

2. Turn the machine itself on.
3. On the main unit place the switch to the *ON* position (Figure 9A). The red LED on the main unit should light up.
4. Press the button on the *remote control transmitter* (Figure 10) to turn the machine on.
5. To stop the machine, press the button on the *remote control transmitter* again.



Figure 10

When the machine is running, it can be stopped by placing the switch on the main unit in the off position (Figure 9B). To restart, repeat steps 3 and 4.

Changing Operating Frequency

If several devices are controlled by the same type remote control unit, each remote control unit can be set to operate at its own unique operating frequency as follows:

Referring to Figure 11:

1. Unplug the DC-RC *Remote Power Control* unit.
2. Remove the back covers of the *main unit* (A) and *remote control switch* (B).
3. Locate the *DIP switch* (C) in each unit.
4. Change the position of the DIP switches in the *main unit* (A) to any combination desired as long as they are not the same as other units that may be present and located within the radio frequency range.
5. Set the *DIP switches* (C) in the *remote control switch* (B) to match the switch settings in the *main unit* (A).
6. Replace the back covers to the main unit and remote control switch.
7. Operate a device as described in *Turning the DC-RC On & Off* and verify that other devices using the same type remote control do not turn on.

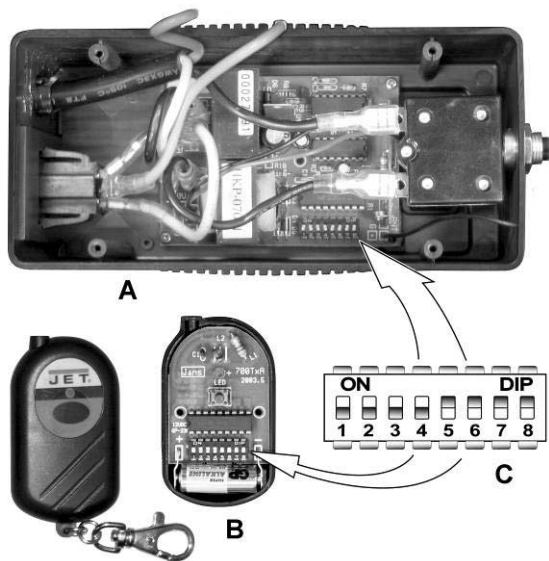


Figure 11

Installing the DC-RC Remote Power Control

The optional *DC-RC Remote Power Control* unit can be placed anywhere for convenience and portability if used to control other machines or it can be mounted as a permanent part of the DC-650 Dust Collector.

To mount the *DC-RC Remote Power Control* (refer to Figure 12):

Note 1: Mounting hardware is not included.

Note 2: If Machine screws are to be used, the power control unit must be installed before installing the impeller housing and motor assembly.

1. Place *RC Power Control Unit* (C) on the side of the *support cylinder* (A).
2. Using a marker, place a mark on the support cylinder through the mounting holes of the power control unit's mounting tabs.
3. Drill two holes (B) through the support cylinder where marked.
4. Insert screws through the tabs and support cylinder if self-tapping screws are used. If machine screws are used, place washers and hex nuts on the threaded ends of the screws protruding inside the support cylinder and tighten.

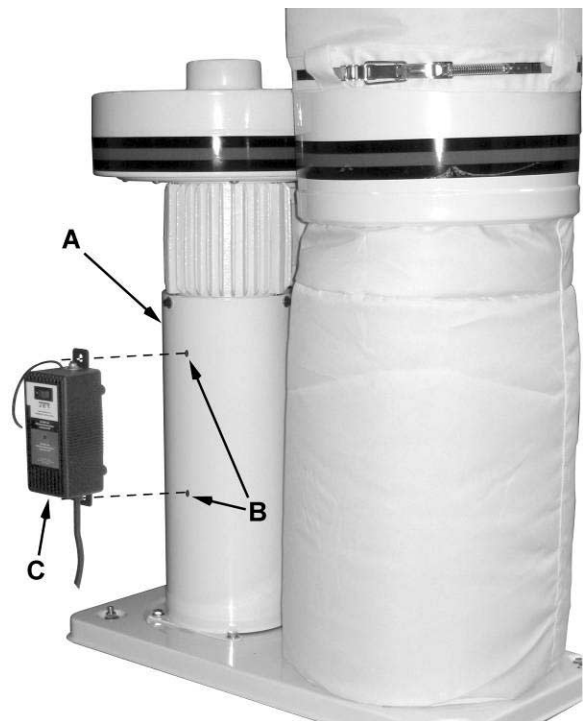


Figure 12

Maintenance

⚠WARNING Never perform maintenance on this machine before turning switch off and removing plug from power source. Failure to comply may cause serious injury!

Cleaning the Filter Bag – DC-650BK/MK

⚠CAUTION Wearing a particle mask/respirator for protection against fine dust particles during cleaning is highly recommended.

During first use and after cleaning, the filter bag may allow some dust to escape. This is normal and will stop after a short period of time.

Clean both the filter and collector bags frequently to keep the collector's performance at its optimum.

To clean:

1. Disconnect the machine from the power source.
2. Unhook the filter bag from the hanger and shake the bag so that the majority of the dust falls into the collector bag.
3. Loosen the retaining strap, and remove the filter bag from the housing.
4. Turn the bag inside out and clean.
5. Turn the bag outside in and re-attach to the housing using the retainer strap to secure.

Removing the Collector Bag – DC-650BK

⚠CAUTION Wearing a particle mask/respirator for protection against fine dust particles during cleaning is highly recommended.

1. Disconnect the machine from the power source.
2. Remove the collector bag by pushing the ring of the collector bag upwards and pulling the bag out at an angle.
3. Empty the contents into an appropriate container.
4. Turn the bag inside out and clean.
5. Turn the bag outside in and insert into the housing.

⚠WARNING To reduce the risk of injury from moving parts, always keep the inlet connected to the flexible hose. Failure to comply may result in serious injury!

Cleaning the Filter – DC-650CK

Clean both the filter and collector bag frequently to keep the collector's performance at its optimum.

To clean the filter turn the handle a couple rotations so the dust falls into the collector bag.

Removing the Collector Bag – DC-650CK and DC-650MK

⚠CAUTION Wearing a particle mask or respirator for protection against fine dust particles during cleaning is highly recommended.

1. Disconnect the machine from the power source.
2. Remove the collector bag by pushing the ring of the collector bag upwards at an angle and pulling the bag and snap ring out.
3. Empty the contents into an appropriate container.
4. Re-install the bag, or replace with a new bag.

Motor

Make frequent inspections of the motor fan and blow out (with low pressure air hose) or vacuum any accumulation of foreign material in order to maintain normal motor ventilation.

Connecting the Dust Collector to a Machine

Use the proper type hose to connect the dust collector to the machine being operated. Dryer vent hose is not acceptable for this purpose. Contact your nearest JET distributor for the full line of JET Dust Collector Hoses and Accessories. Customize your installation and obtain maximum performance with JET's dust hoods, hoses, clamps, fittings, and blast gates.

Grounding the Dust Collection System

The dust collection system includes the dust collector and the hose, or ductwork you use to connect the tools. The dust collector is grounded through the ground wire in the cord. The hose or ductwork you use to connect the tool to the dust collector must also be grounded.

Parts

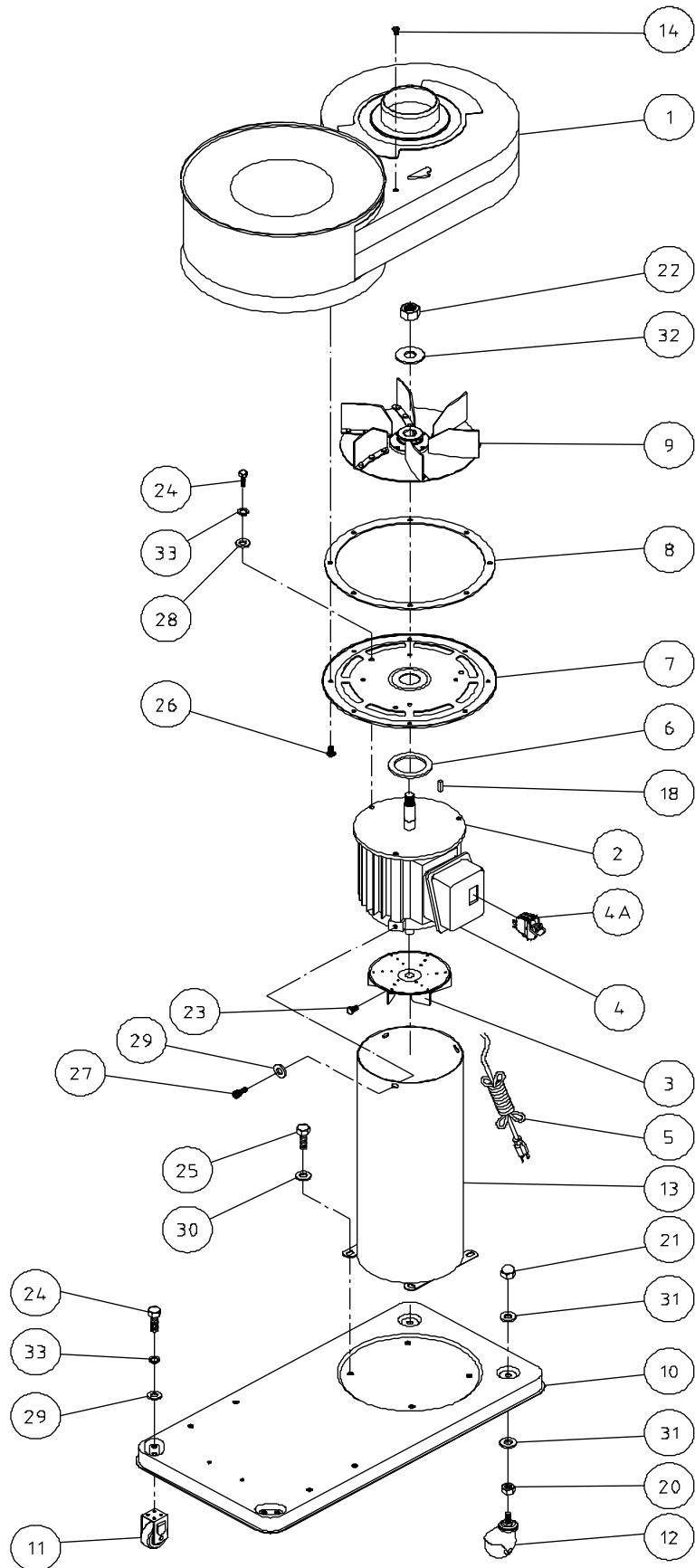
Replacement Parts

Replacement parts are listed in the Parts List on the following pages. To order parts or reach our service department, call 1-800-274-6848, Monday through Friday (see our website for business hours, www.waltermeier.com). Having the Model Number and Serial Number of your machine available when you call will allow us to serve you quickly and accurately.

Parts List – Base Machine

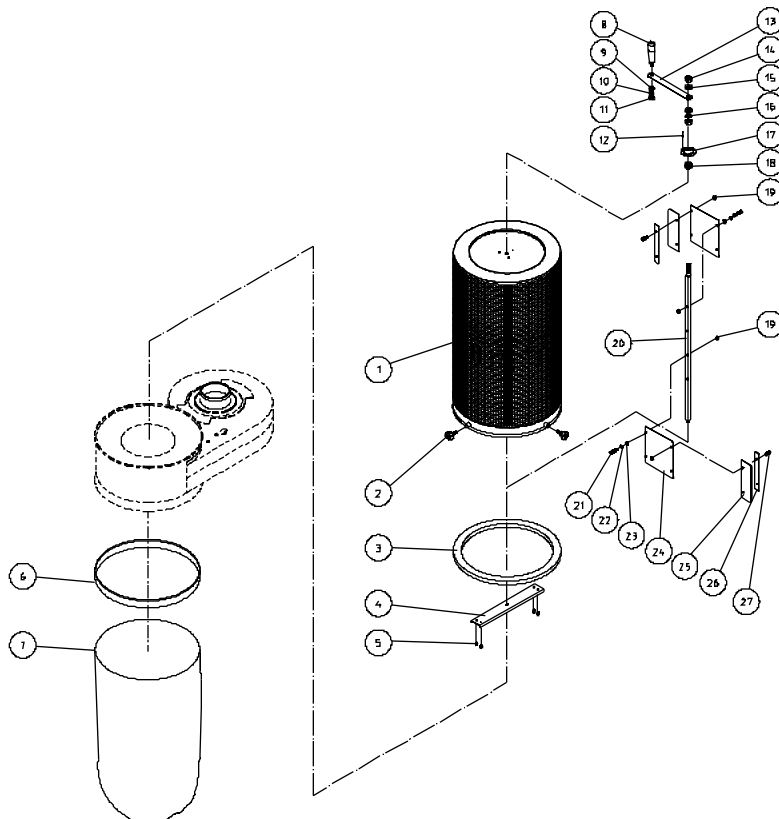
| Index No. | Part No. | Description | Size | Qty |
|-----------|------------|---|--------------|-----|
| 1 | 422109W | Impeller Housing | | 1 |
| 2 | MH422001 | Motor | | 1 |
| | CA020010 | Starting Capacitor (not shown) | 200MFD, 125V | 1 |
| | 994612 | Centrifugal Switch (not shown) | | 1 |
| | 994613 | Centrifugal Switch Rotor (not shown) | | 1 |
| 3 | M4220F | Motor Fan | | 1 |
| 4 | MJ422001 | Switch Box | | 1 |
| 4A | 994532 | Switch | | 1 |
| 5 | IC422001 | Power Cord | | 1 |
| 6 | 423023 | Packing | | 1 |
| 7 | 412025W | Flange | | 1 |
| 8 | 410030 | Flange Packing | | 1 |
| 9 | AB410033 | Impeller | 9-1/2" | 1 |
| 10 | 423038W | Base | | 1 |
| 11 | 423044 | Fixed Caster | | 2 |
| 12 | 410003 | Pivoting Caster | | 2 |
| 13 | 422018W | Support Cylinder | | 1 |
| 14 | TS-1534042 | Pan Head Screw | M6x12 | 1 |
| 18 | KS050525 | Key | 5x5x25 mm | 1 |
| 20 | TS-0561031 | Hex Nut | 3/8"-16 | 2 |
| 21 | TS-059303 | Cap Nut | 3/8"-16 | 2 |
| 22 | NH602303 | Hex Nut (LH) | 5/8" | 1 |
| 23 | TS-0050011 | Hex Cap Screw | 1/4"-20x1/2" | 1 |
| 24 | TS-1482021 | Hex Cap Screw | M6x12 | 7 |
| 25 | TS-1490011 | Hex Cap Screw | M8x12 | 4 |
| 26 | TS-1534042 | Pan Head Screw | M6x12 | 8 |
| 27 | TS-1503041 | Socket Head Cap Screw | M6x16 | 3 |
| 28 | TS-1550041 | Flat Washer | M6 | 3 |
| 29 | TS-1550041 | Flat Washer | M6 | 7 |
| 30 | TS-1550061 | Flat Washer | M8 | 4 |
| 31 | TS-1550071 | Flat Washer | M10 | 4 |
| 32 | TS-155010 | Flat Washer | M16 | 1 |
| 33 | TS-2361061 | Lock Washer | M6 | 7 |
| | DC-IGW | Inlet Guard Warning Label (not shown) | | 1 |
| | DC-MBW | Motor Bracket Warning Label (not shown) | | 1 |
| | DC650C-HP | Hardware Package | | 1 |

Parts Breakdown – Base Machine



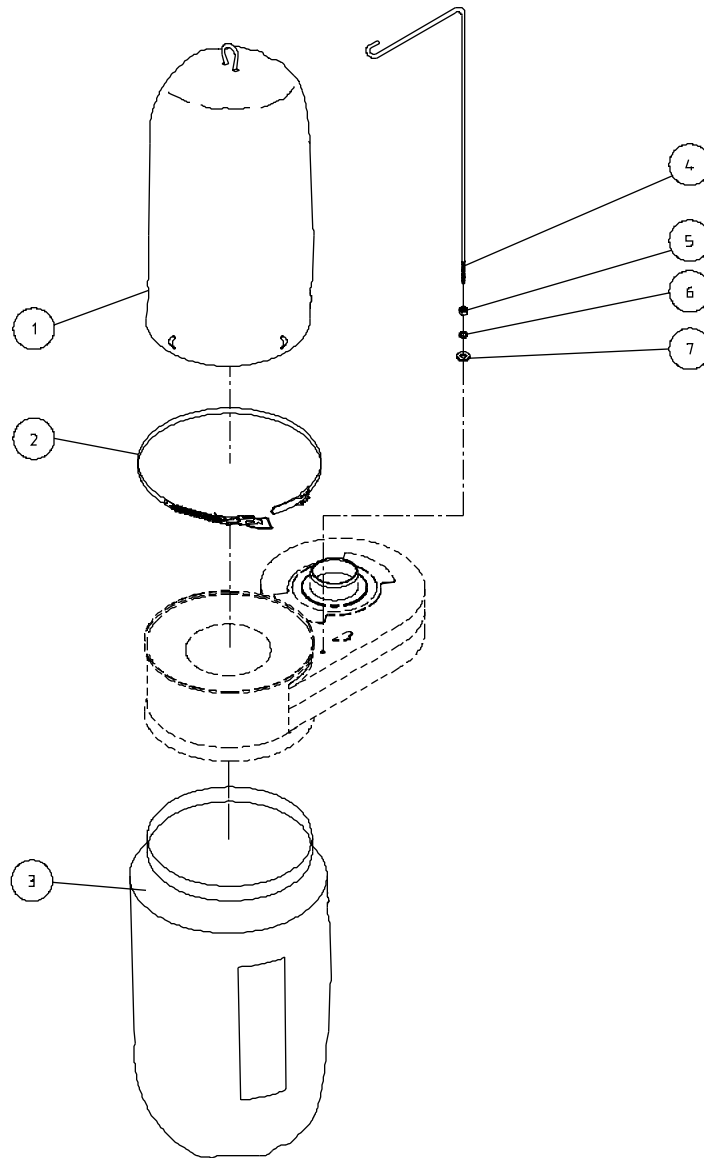
Canister Filter Assembly

| Index No. | Part No. | Description | Size | Qty |
|-----------|------------|--|-------|-----|
| 1 | 708737 | Canister Filter | | 1 |
| 2 | 331037 | JET Knob | M6x20 | 4 |
| 3 | 331047 | Pad | | 1 |
| 4 | 331042 | Support | | 1 |
| 5 | ST049200 | Tapping Screw | M4x8 | 4 |
| 6 | 331048 | Snap Ring | | 1 |
| 7 | 709565 | Clear Plastic Collection Bag (Package of 5) | | 1 |
| 8 | 200076 | Handle | | 1 |
| 9 | TS-1550061 | Flat Washer | M8 | 1 |
| 10 | TS-2361081 | Lock Washer | M8 | 1 |
| 11 | TS-1540061 | Hex Nut | M8 | 1 |
| 12 | BR000052 | Rivet | 5-2 | 3 |
| 13 | 331011 | Arm | | 1 |
| 14 | TS-1540071 | Hex Nut | M10 | 2 |
| 15 | TS-1550071 | Flat Washer | M10 | 2 |
| 16 | TS-2361101 | Lock Washer | M10 | 1 |
| 17 | 331014 | Bracket | | 1 |
| 18 | 150623 | Pad | | 1 |
| 19 | TS-1540041 | Hex Nut | M6 | 8 |
| 20 | 331010 | Shaft | | 1 |
| 21 | TS-1482041 | Hex Cap Screw | M6x20 | 4 |
| 22 | TS-2361061 | Lock Washer | M6 | 4 |
| 23 | TS-1550041 | Flat Washer | M6 | 4 |
| 24 | 331043 | Scraper | | 2 |
| 25 | 331017 | Strip | | 2 |
| 26 | 331015 | Plate | | 2 |
| 27 | TS-1482021 | Hex Cap Screw | M6x12 | 4 |
| | DC650-CHP | Canister Hardware Package (index # 2, 8-11, 13-16) | | |



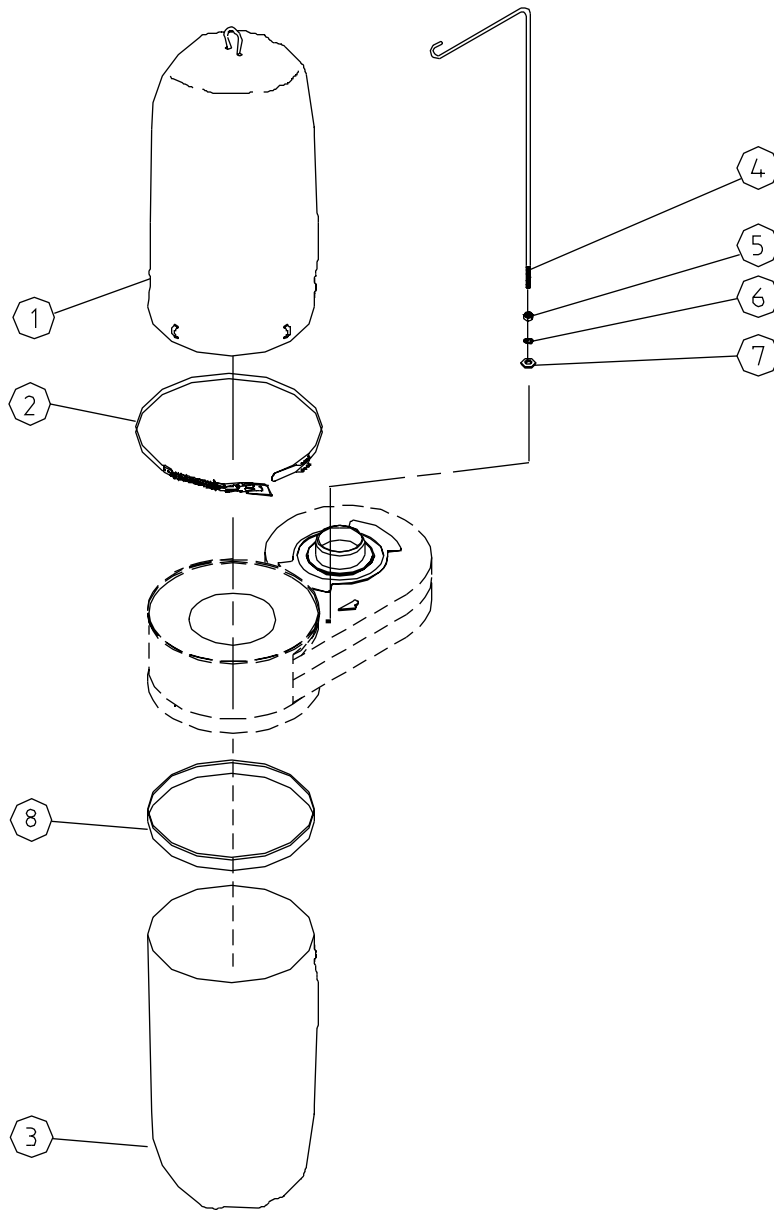
30 Micron Filter Bag Assembly

| Index No. | Part No. | Description | Size | Qty |
|-----------|------------------|---|----------------|-----|
| 1..... | 708695..... | Filter Bag | 30 Micron..... | 1 |
| 2..... | AB422028 | Retainer Strap | | 1 |
| 3..... | 708697A | Collector Bag..... | | 1 |
| 4..... | 427043..... | Hanger | | 1 |
| 5..... | TS-1540041 | Hex Nut | M6..... | 1 |
| 6..... | TS-2361061 | Lock Washer | M6..... | 1 |
| 7..... | TS-1550041 | Flat Washer..... | M6..... | 1 |
| | DC650-FHP..... | Filter Bag Hardware Package (index # 5,6,7) | | |



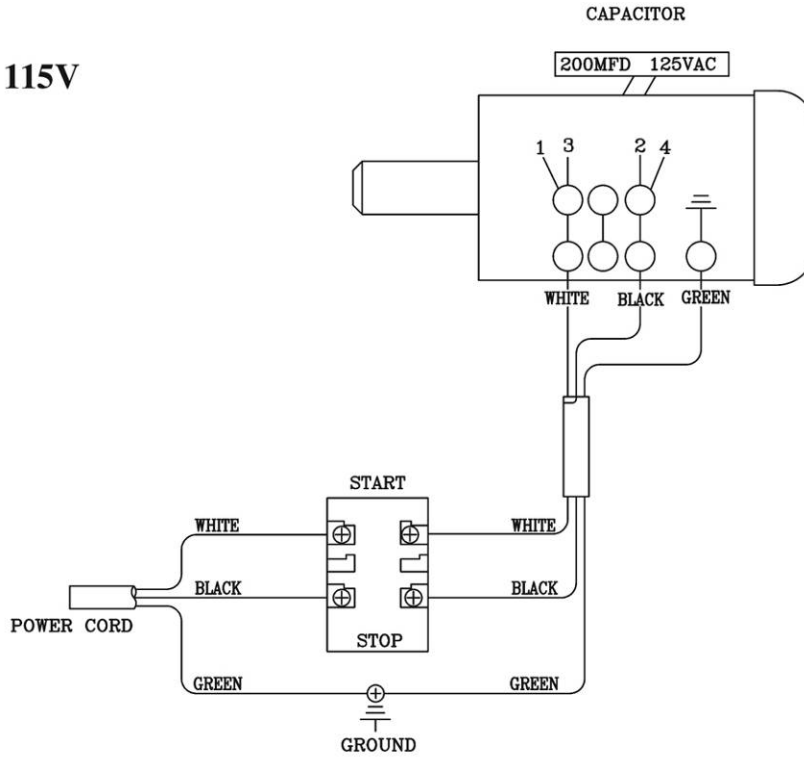
5 Micron Filter Bag Assembly

| Index No. | Part No. | Description | Size | Qty |
|-----------|------------------|--|---------------|-----|
| 1..... | 708701..... | Filter Bag | 5 Micron..... | 1 |
| 2..... | AB422028 | Retainer Strap | | 1 |
| 3..... | 709565..... | Clear Plastic Collection Bag (Package of 5)..... | | 1 |
| 4..... | 427043..... | Hanger | | 1 |
| 5..... | TS-1540041 | Hex Nut | M6..... | 1 |
| 6..... | TS-2361061 | Lock Washer | M6..... | 1 |
| 7..... | TS-1550041 | Flat Washer..... | M6..... | 1 |
| 8..... | 331048..... | Snap Ring..... | | 1 |
| | DC650-FHP..... | Filter Bag Hardware Package (index # 5,6,7)..... | | 1 |

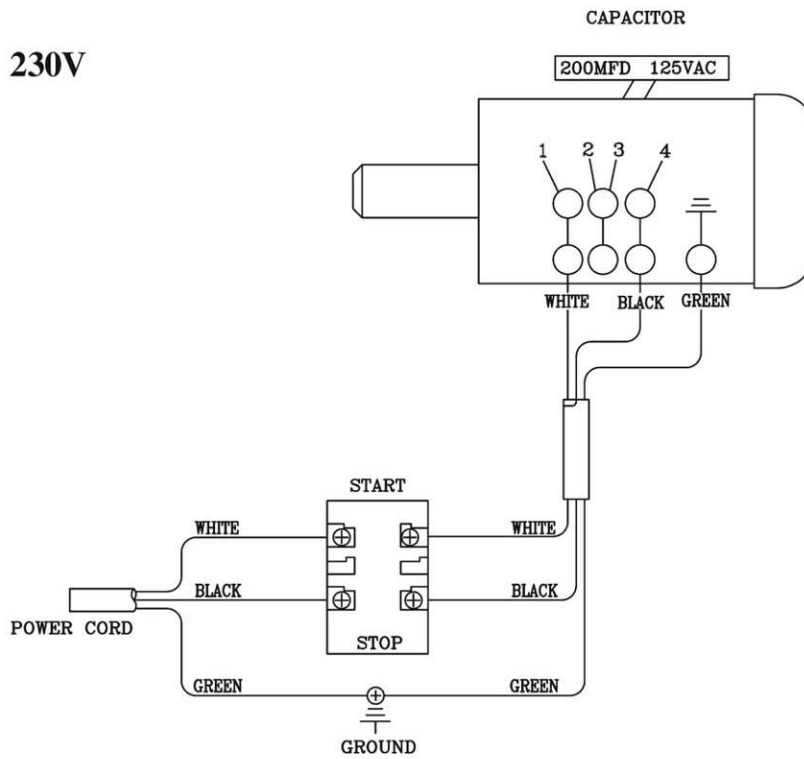


Wiring Diagrams for DC-650

115V



230V





WALTER MEIER (Manufacturing) Inc.

427 New Sanford Road
LaVergne, Tennessee 37086
Phone: 800-274-6848
www.waltermeier.com